

## PG Concrete Power Trowels



**Power Trowels from Weber MT are the optimum solution for efficient concrete finishing by machine. They combine excellent performance with high efficiency and deliver smooth surfaces in less time.**

Find always the right machine for your job site: we provide a choice of four working diameters for a high versatility in use, for example the PG 55 with a width of 60 cm. Although this machine has been specially designed for floor screed works in small premises and narrow corridors, it is also ideally suited for a wide range of other applications.

All machines are available in two versions. Use machines with gasoline engine for outdoor applications. For indoor work, machines with electric motor are the right choice.



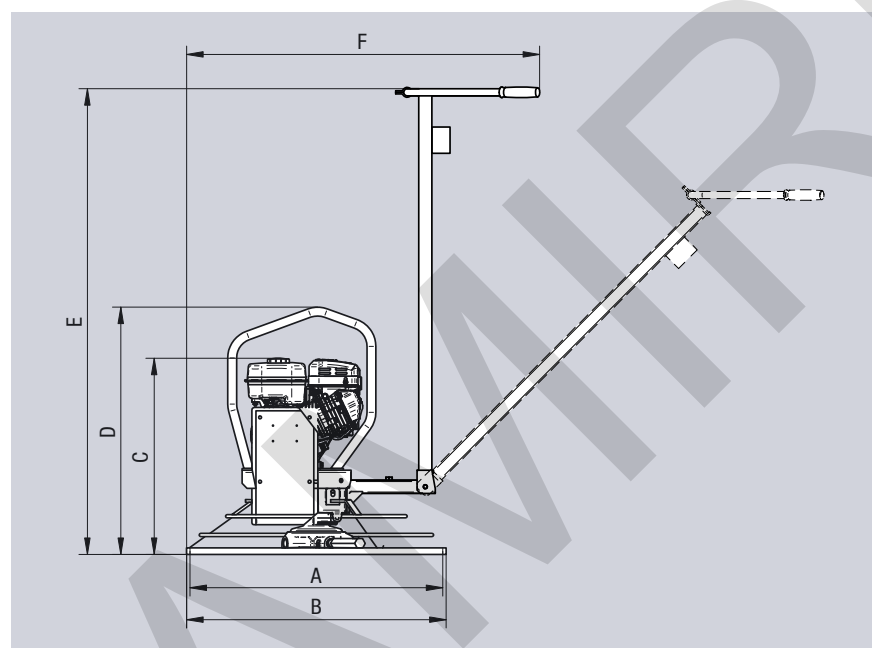
### Advantages / Accessories

- ▶ High operating comfort due to elastic trowel blade mechanism. It reduces vibrations and ensures easy operation.
- ▶ Handlebar infinitely variable for optimum adaptation to the operator's height. Place-saving design because handlebar folds upwards for transport.
- ▶ Lifting bracket facilitates transport and protect the drive unit (PG 70 to PG 110).
- ▶ No accidents at work caused by machines spinning out of control. A "deadman control" stops the engine/motor in time.
- ▶ The PG 90 E-2 and PG 110 E-2 feature two working speeds enabling among others a smooth finishing at the edges of the working area.
- ▶ A comprehensive range of accessories, such as grinding plates, plastic and steel wire brushes and milling plates, makes the PG 55 a universal machine also for grinding and cleaning applications.
- ▶ Optional smoothing disks for surface preparation as well as various smoothing blades (PG 70 to PG 110) extend the field of applications.
- ▶ A water sprinkler system (option) for the PG 70 to PG 110 avoids the annoying manual moistening of the concrete surface.

## Technical data

Type	Working diameter	Operating weight	Rotation speed	Engine type, manufacturer	Engine output
PG 55 BF	565 mm	53 kg	60-115 r.p.m.	4-Takt-Benzin, Robin EX 17	4.2 kW (5.7 PS)
PG 55 EF	565 mm	48 kg	100 r.p.m.	Elektromotor, 230 V	1.5 kW
PG 70	750 mm	74 kg	60-120 r.p.m.	4-Takt-Benzin, Robin EX 17	4.2 kW (5.7 PS)
PG 70 E	750 mm	76 kg	95 r.p.m.	Elektromotor, 400 V	2.2 kW
PG 90	900 mm	78 kg	60-120 r.p.m.	4-Takt-Benzin, Robin EX 17	4.2 kW (5.7 PS)
PG 90 E	900 mm	87 kg	95 r.p.m.	Elektromotor, 400 V	3.0 kW
PG 90 E-2	900 mm	87 kg	48/95 r.p.m.	Elektromotor, 400 V, Polumschaltbar	2.0 kW/3.0 kW
PG 110	1100 mm	95 kg	60-110 r.p.m.	4-Takt-Benzin, Robin EH 25	6.3 kW (8.5 PS)
PG 110 E	1100 mm	93 kg	75 r.p.m.	Elektromotor, 400 V	3.0 kW
PG 110 E-2	1100 mm	95 kg	40/80 r.p.m.	Elektromotor, 400 V, Polumschaltbar	2.0 kW/3.0 kW

We reserve the right to alter specifications.



Typ	A	B	C	D	E	F
PG 55 BF	565 mm	595 mm	620 mm	/	1275 mm	665 mm
PG 55 EF	565 mm	595 mm	500 mm	/	1275 mm	665 mm
PG 70	750 mm	786 mm	/	780 mm	1430 mm	970 mm
PG 70 E	750 mm	786 mm	/	660 mm	1430 mm	970 mm
PG 90	900 mm	946 mm	/	780 mm	1430 mm	1050 mm
PG 90 E	900 mm	946 mm	/	660 mm	1430 mm	1050 mm
PG 90 E-2	900 mm	946 mm	/	660 mm	1430 mm	1050 mm
PG 110	1100 mm	1186 mm	/	820 mm	1430 mm	1170 mm
PG 110 E	1100 mm	1186 mm	/	660 mm	1430 mm	1170 mm
PG 110 E-2	1100 mm	1186 mm	/	660 mm	1430 mm	1170 mm

We reserve the right to alter specifications.

Weber Maschinentechnik GmbH

Im Boden 5 - 8, 10 · 57334 Bad Laasphe · Germany · P.O. Box 21 53 · 57329 Bad Laasphe · Germany  
 Phone +49 (0) 27 54/3 98 - 0 · Fax +49 (0) 27 54/3 98 - 101 · E-Mail [export@webermt.de](mailto:export@webermt.de) · Internet [www.webermt.de](http://www.webermt.de)